



NOTE 28

Cables for ASI5700/ASI6700 Sound Cards

June 12, 2015
S.G.Turner



The ASI56/6700 have these cable/BOB options

Analog

CBL1044 – 4 stereo/8 XLR In/Out



CBL1004

BOB1024/25



CBL1006



AES/EBU

CBL1144 – 4 stereo/ 4 XLR In/Out



CBL1101

BOB1024/25



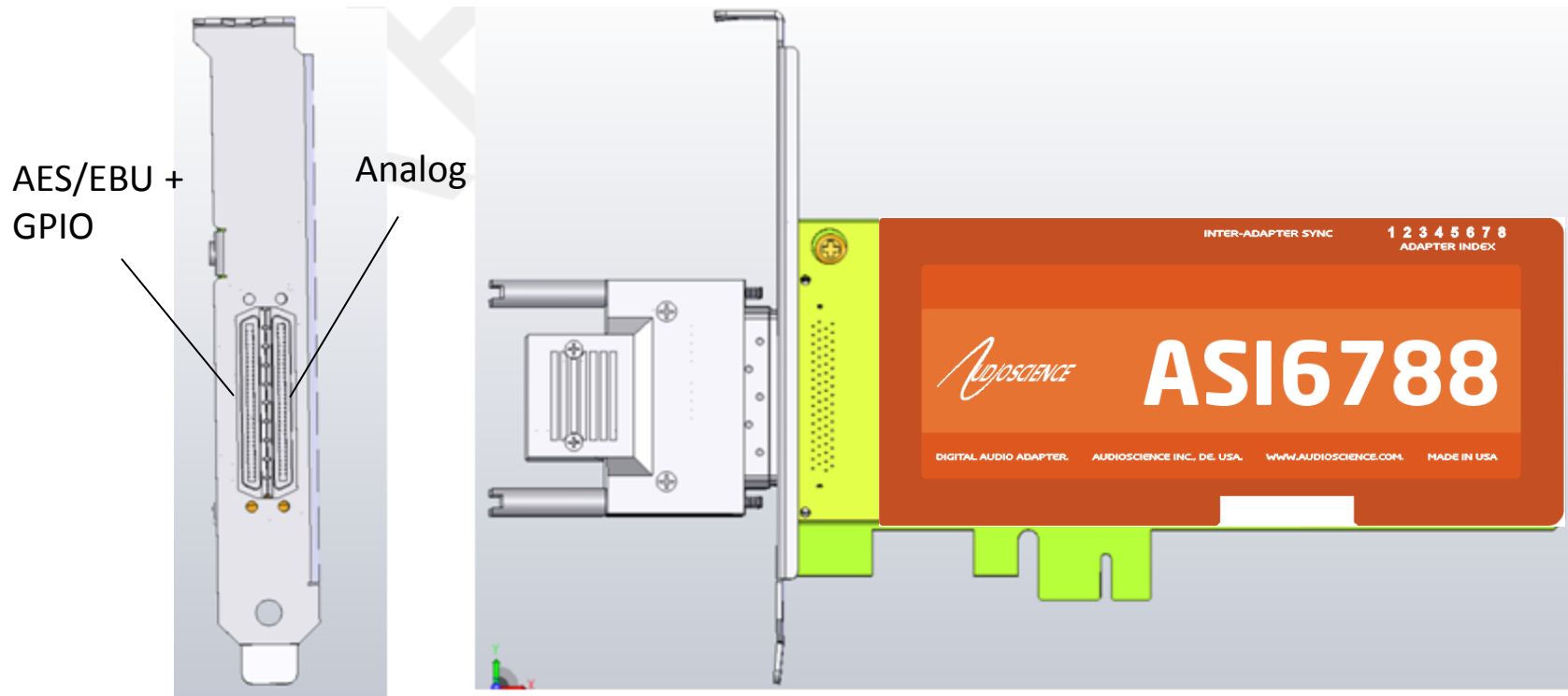
CBL1102



The ASI5700/6700 series has new connectors

Connectors are 68pin VHDCI (as used in SCSI-3)

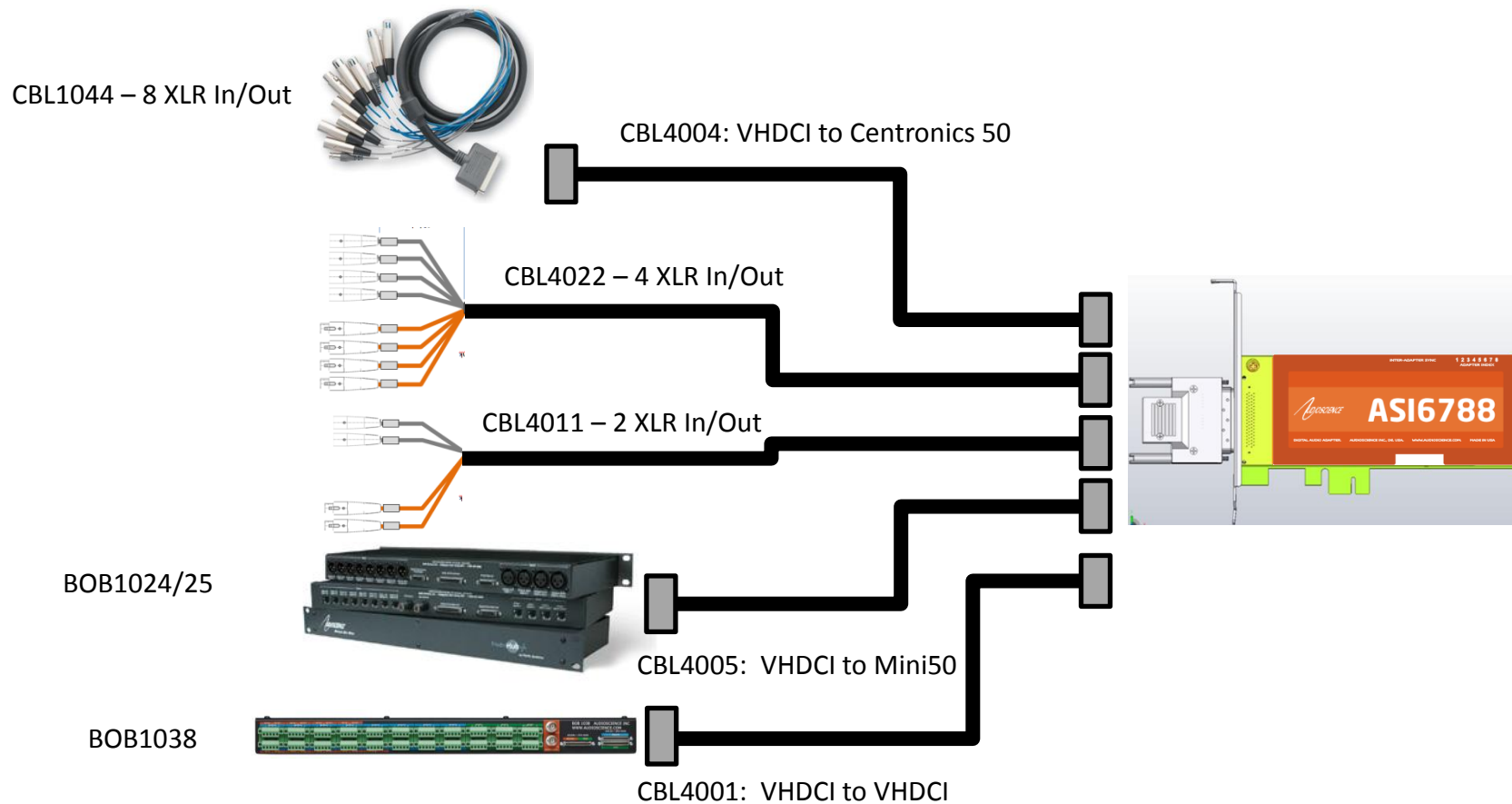
- Analog connector has up to 8 stereo in and out
- AES/EBU + GPIO connector has up to 8 stereo in/out + 8 GPIIn and 8 GPout





ASI57/6700 cable/BOB options - Analog

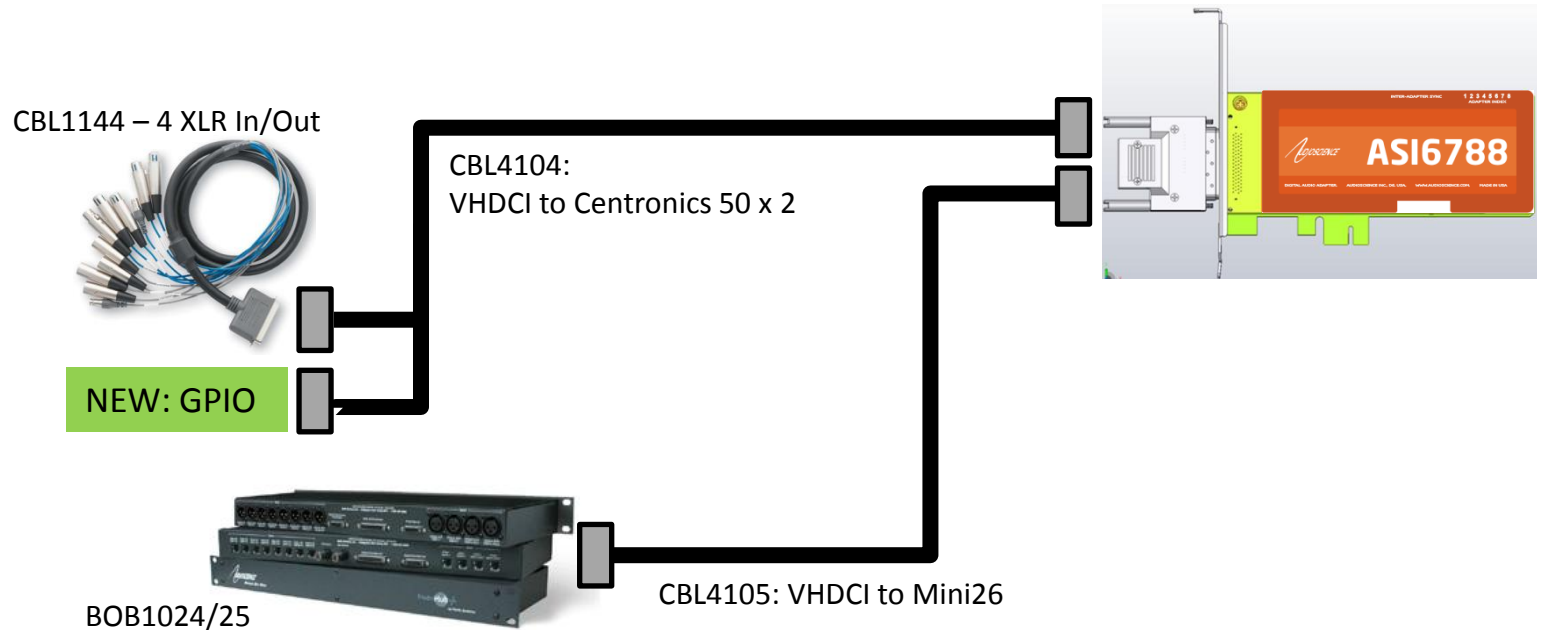
- CBL4004/4005 enable the same connectivity as CBL1004/1006





ASI57/6700 cable/BOB options – AES/EBU+GPIO

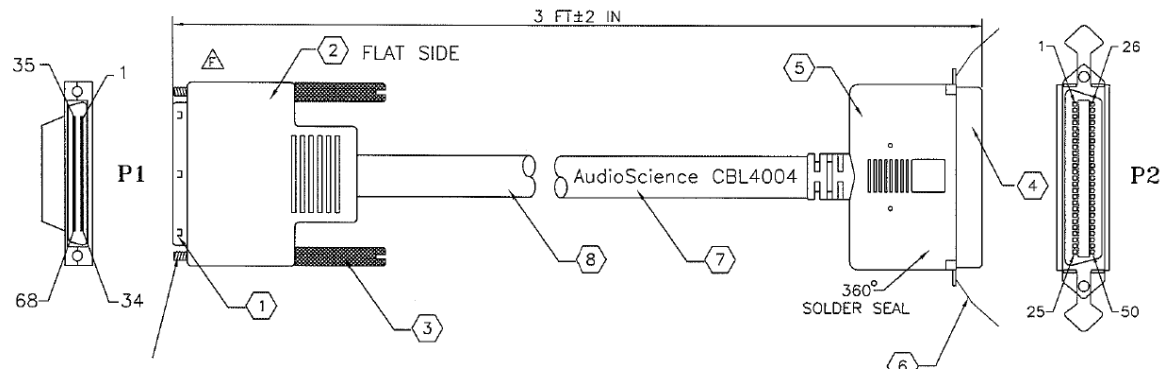
- CBL4104/4105 enable the same connectivity as CBL1101/1102
- CBL4104 has a 2nd Centronics 50 connector on it for GPIO. GPIO Pinout is compatible with the ASI1301 GPIO breakout for the ASI4336





CBL4004 - Analog Adapter

- Replaces CBL1004 used with ASI65xx/66xx
- Used to connect CBL1044 XLR cables





CBL4104 – AES/EBU Adapter

- Replaces CBL1101 used with ASI65xx/66xx
- Used to connect CBL1144 XLR cables
- Also has GPIO with same pin out used on ASI1301 (GPIO cable for ASI4336)

